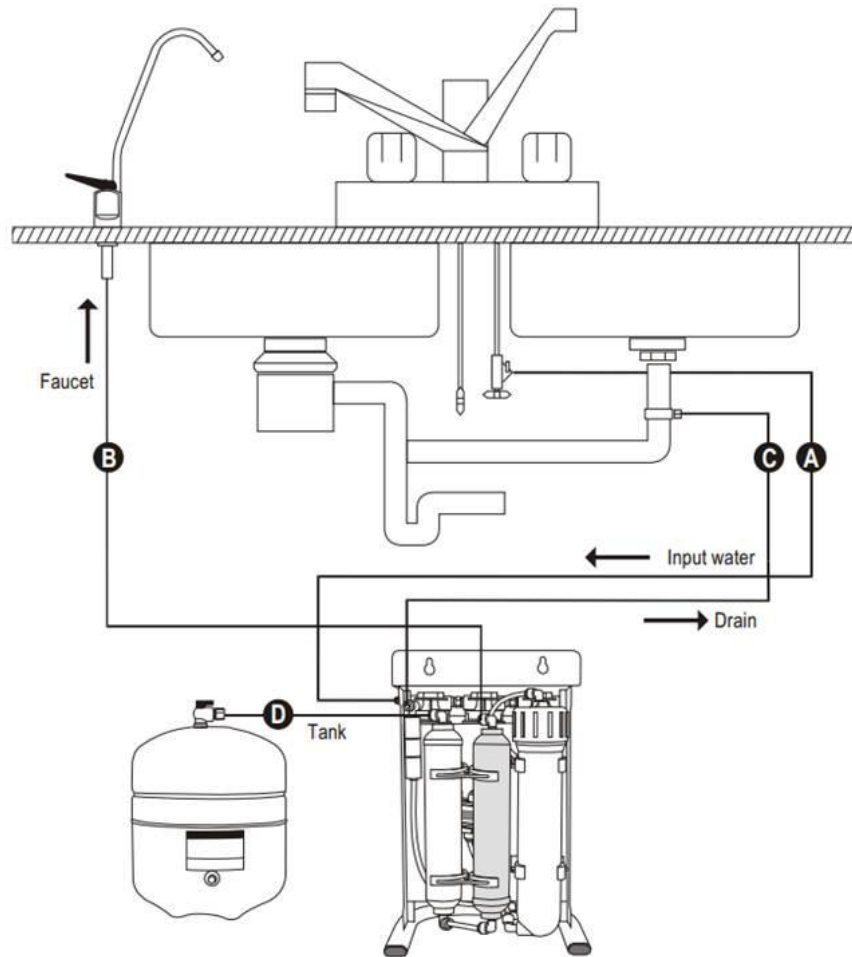
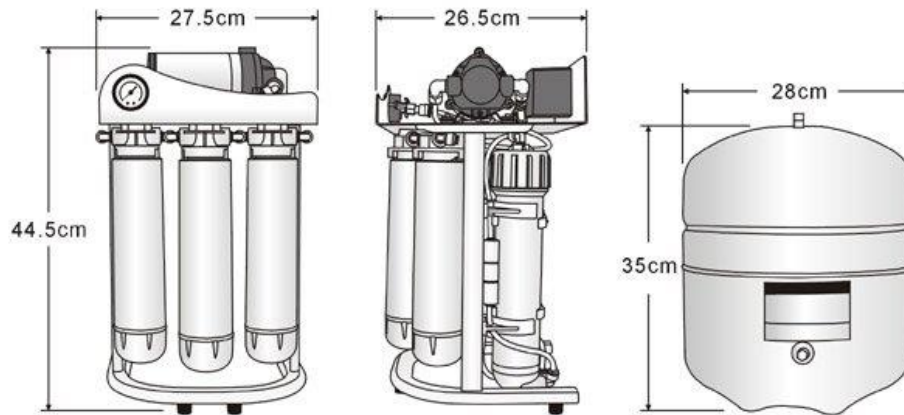




## TECHNICAL INFORMATION – REVERSE OSMOSIS

### Minimal size for KRO-6A (under sink)



**TOTAL WEIGHT:  
12KG**